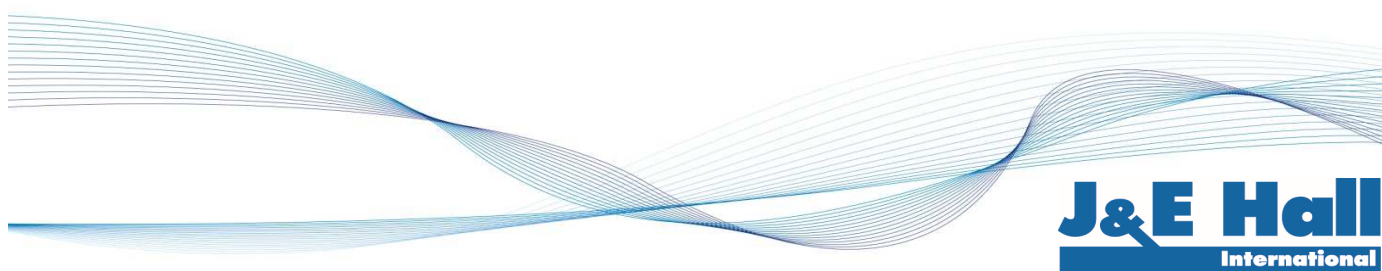


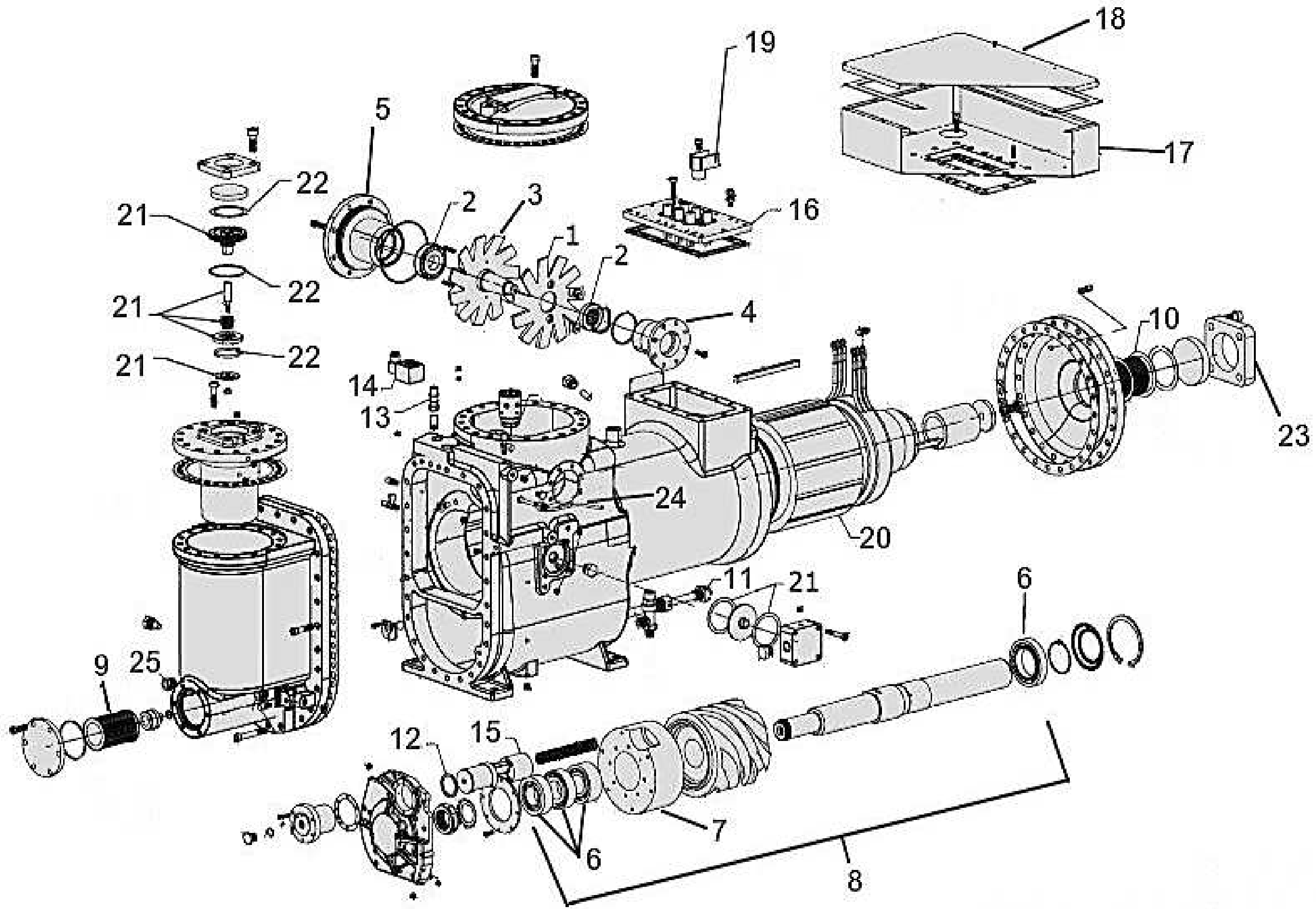
# Hallscrew Replacement Parts List

HSS & HSM/L 3100

Semi hermetic single screw compressors

August 2015





**HS3100 Spare Parts List  
Semi-Hermetic Compressor**

Quantity for Each Compressor

Item	Diagram	Description	Part Number	Old P/No	3118	3120	3121	3122	3123
		<b>Stars</b>							
1	1	Hallplas Star	<b>N02280022</b>	95813-106	1				
1	1	Hallplas Star	<b>N02280023</b>	95813-206		1			
1	1	Hallplas Star	<b>N02280024</b>	95813-306			1		
1	1	Hallplas Star	<b>N02280025</b>	95813-406				1	
1	1	Hallplas Star	<b>N02280054</b>	95813-407					1
2	1	Star Bearing Kit (Top and Bottom Bearings)	<b>N02050124</b>	95813-203	1	1	1	1	1
3	1	Star Shaft Rotor & Backing	<b>N02840007</b>	-	1				
3	1	Star Shaft Rotor & Backing	<b>N02840008</b>	-		1			
3	1	Star Shaft Rotor & Backing	<b>N02840009</b>	-			1		
3	1	Star Shaft Rotor & Backing	<b>N02840010</b>	-				1	1
4	1	Star Bearing Housing - Small*	<b>N02500016</b>	-	2	2	2	2	1
5	1	Star Bearing Housing - Large*	<b>N02500017</b>	-	2	2	2	2	1
		<i>* Small housing goes on the top on one side but the bottom on the other (the same goes for the large ones as well)</i>							
		<b>Main Rotor &amp; Shaft Assy</b>							
6	1	Main Bearing Kit (incs all 4 Main Bearings)	<b>N02050171</b>	-	1	1	1	1	1
7	1	Bearing Housing	<b>N02500018</b>	-	1	1	1	1	
7	1	Bearing Housing	<b>N02500036</b>						1
8	1	Rotor, Shaft and Bearing Housing Assy (Also includes the main bearings)	<b>N02240030</b>	-	1				
8	1	Rotor, Shaft and Bearing Housing Assy (Also includes the main bearings)	<b>N02240031</b>	-		1			
8	1	Rotor, Shaft and Bearing Housing Assy (Also includes the main bearings)	<b>N02240032</b>	-			1		
8	1	Rotor, Shaft and Bearing Housing Assy (Also includes the main bearings)	<b>N02240033</b>	-				1	
8	1	Rotor, Shaft and Bearing Housing Assy (Also includes the main bearings)	<b>N02240058</b>						1
		<b>Filters</b>							
9	1	Internal Oil Filter Element (does not inc Gaskets & O-rings)	<b>N02370008</b>	95816-401	1	1	1	1	1
10	1	Suction Filter	<b>N12010011</b>	87211-301	1	1	1	1	1

**HS3100 Spare Parts List  
Semi-Hermetic Compressor**

Quantity for Each Compressor

Item	Diagram	Description	Part Number	Old P/No	3118	3120	3121	3122	3123
		<b>Heaters</b>							
11	1	Integral Oil Seperator Heater 115V 250W	N19070002	95813-217	1	1	1	1	1
11	1	Integral Oil Seperator Heater 230V 250W	N19070003	95813-218	1	1	1	1	1
11	1	Oil Heater Pocket	N13390001	-	1	1	1	1	1
		<b>Capacity Control</b>							
12	1	Piston Ring (Glyd Ring) & Gasket Set	N02630040	95813-108	1	1	1	1	1
		<b>Solenoid Valves 115v 50/60Hz</b>							
13	1	Capacity Control Solenoid Valve Kit (Asco) (kit includes 2 valves & 2 coils)	N30010038	95823-415	1	1	1	1	1
14	1	Capacity Control Solenoid Valve Coil (Asco)	N30020034	-	2	2	2	2	2
		<b>Solenoid Valves 230v 50/60Hz</b>							
13	1	Capacity Control Solenoid Valve Kit (Asco) (kit includes 2 valves & 2 coils)	N30010039	95823-416	1	1	1	1	1
14	1	Capacity Control Solenoid Valve Coil (Asco)	N30020047	-	2	2	2	2	2
		<b>Solenoid Valves 24V</b>							
13	1	Capacity Control Solenoid Valve Coil AC (Sporlan)	N30020046	-	2	2	2	2	2
14	1	Capacity Control Solenoid Valve Coil DC (Asco)	N30020119	-	2	2	2	2	2
		<b>Capacity Control Slides</b>		-					
15	1	Capacity Control Slide 2.0VR	N02860110	-	1	1	1	1	
15	1	Capacity Control Slide 2.0VR	N02860138						1
15	1	Capacity Control Slide 3.0VR	N02860111	-	1				
15	1	Capacity Control Slide 3.0VR	N02860112	-		1	1	1	
15	1	Capacity Control Slide 3.0VR	N02860137						1
15	1	Capacity Control Slide 4.9VR	N02860113	-	1				
15	1	Capacity Control Slide 4.9VR	N02860114	-		1			
15	1	Capacity Control Slide 4.9VR	N02860115	-			1		
15	1	Capacity Control Slide 4.9VR	N02860116	-				1	

**HS3100 Spare Parts List  
Semi-Hermetic Compressor**

Quantity for Each Compressor

Item	Diagram	Description	Part Number	Old P/No	3118	3120	3121	3122	3123	
		<b>Capacity Control Slides cont...</b>								
N/S	N/S	Capacity Control Slide Stop	<b>N02860121</b>	-	1					
N/S	N/S	Capacity Control Slide Stop	<b>N02860122</b>	-		1				
N/S	N/S	Capacity Control Slide Stop	<b>N02860123</b>	-			1			
N/S	N/S	Capacity Control Slide Stop	<b>N02860124</b>	-				1	1	
N/S	N/S	Capacity Control Slide Stop O-Ring	<b>N14060024</b>	-	1	1	1	1	1	
		<b>Capacity Indicators</b>								
N/S	N/S	Capacity Indicator from Feb 08 (MSILVDT) (not self setable)	<b>N05390008</b>	-	1	1	1	1	1	
N/S	N/S	Capacity Indicator from Feb 08 (MSILVDT) (self setable)	<b>N05390013</b>	-	1	1	1	1	1	
	N/S	Setting Module	<b>N05250068</b>		1	1	1	1	1	
		<i>The MSI LVDT is a direct 'drop-in' replacement for the now obsolete HBLVDT fitted, which was fitted on compressors built before Feb 2008</i>								
		<b>Motor Terminals</b>								
16	1	Terminal Plate Assy	<b>N02470010</b>	95812-423	1	1	1	1	1	
17	1	Terminal Box	<b>N02580003</b>	-	1	1	1	1		
17	1	Terminal Box	<b>N02580011</b>						1	
18	1	Terminal Box Lid	<b>N02580004</b>	-	1	1	1	1		
18	1	Terminal Box Lid	<b>N02580012</b>						1	
19	1	Motor Terminal Plastic Insulators	<b>N13060020</b>	-	6	6	6	6	6	
N/S	N/S	10.5mm Washers	<b>N13540036</b>	-	8	8	8	8	8	
N/S	N/S	M10 x 16 Screws	<b>N13460108</b>	-	6	6	6	6	6	
N/S	N/S	Ground Screw and Nut (for Earth)	<b>N13460019</b>	-	1	1	1	1	1	
N/S	N/S	Motor protection INT69 TM 115V 50/60Hz	<b>N05140010</b>	-	1	1	1	1	1	
N/S	N/S	Motor protection INT69 TM 230V 50/60Hz	<b>N05140011</b>	-	1	1	1	1	1	
N/S	N/S	DOL Bridge Bars Kit (optional)	<b>N09360001</b>	-	1	1	1	1	1	
		<b>Stators R134a</b>								
20	1	Stator 400V 50Hz 43kW / 460V 60Hz 52kW	<b>N02330016</b>	95813-501	1	1				
20	1	Stator 400V 50Hz 60kW / 460V 60Hz 72kW	<b>N02330017</b>	95813-502			1	1	1	

**HS3100 Spare Parts List  
Semi-Hermetic Compressor**

Quantity for Each Compressor

Item	Diagram	Description	Part Number	Old P/No	3118	3120	3121	3122	3123
		<b>Stators R22/R407C/R410A</b>							
20	1	Stator 400V 50Hz 60kW / 460V 60Hz 72kW	<b>N02330017</b>	95813-502	1	1			
20	1	Stator 400V 50 82kW / 460V 60Hz 98kW	<b>N02330018</b>	95813-503			1	1	1
		<b>Valves</b>							
21	1	Discharge Check Valve 3-in-1 (Optional)	<b>N30150074</b>	95814-210	1	1	1	1	1
22	1	Gasket to suit 3 in 1 Discharge Check Valve	<b>N33080012</b>	88114-312	1	1	1	1	1
N/S	N/S	Standard Discharge Check Valve Replacement Gasket & O-Ring Set	<b>N33010066</b>	95822-316	1	1	1	1	1
N/S	N/S	Standard Discharge Shut Off Valve 2.1.2"	<b>N30150131</b>	-	1	1	1	1	1
N/S	N/S	Suction Shut-Off Valve (optional)	<b>N30150067</b>	-	1	1	1	1	1
N/S	N/S	3" NB Suction Tail for 3.1/8" OD Pipe (optional)	<b>N13050069</b>	7363-907	1	1	1	1	1
23	1	3" NB Suction Flange for tail above (optional)	<b>N13050073</b>	86431-101	1	1	1	1	1
N/S	N/S	Suction valve (3") gasket	<b>N33070030</b>	88114-311	1	1	1	1	1
N/S	N/S	Internal Relief Valve 31 Bar	<b>N30070084</b>		1	1	1	1	1
N/S	N/S	Internal Relief Valve 24.5 Bar - for all R134a only	<b>N30070079</b>		1	1	1	1	1
		<b>Gasket, O-Ring and Shim Kits</b>							
N/S	N/S	Motor Replacement Gasket & O-Ring Set	<b>N33010065</b>	95822-315	1	1	1	1	1
N/S	N/S	Oil Filter Replacement Gasket & O-Ring Set	<b>N33010027</b>	-	1	1	1	1	1
N/S	N/S	Discharge Check Valve Replacement Gasket & O-Ring Set	<b>N33010066</b>	95822-316	1	1	1	1	1
N/S	N/S	Economiser / Liquid Injection Gasket Set	<b>N33010067</b>	95822-317	1	1	1	1	1
N/S	N/S	Full Gasket & O-Ring Set	<b>N33010068</b>	-	1	1	1	1	1
N/S	N/S	Shim Set	<b>N02260014</b>	92847-301	1	1	1	1	1

**HS3100 Spare Parts List  
Semi-Hermetic Compressor**

Quantity for Each Compressor

Item	Diagram	Description	Part Number	Old P/No	3118	3120	3121	3122	3123
		<b>Accessories (where fitted)</b>							
24	1	Discharge Thermostat 100oC	<b>N05060031</b>	95814-502	1	1	1	1	1
N/S	N/S	Oil Level Sensor	<b>N05110007</b>	95814-602	1	1	1	1	1
25	1&2	Oil Separator 1/2" Sight Glass	<b>N27070002</b>	2367-325	1	1	1	1	1
		<i>Liquid &amp; Economiser Kit</i>							
N/S	N/S	Liquid and Economiser Kit (Not Steel) - incs items below	<b>N02830004</b>	94781-348	1	1	1	1	1
N/S	N/S	Liquid injection connector	<b>N13050068</b>	-	1	1	1	1	1
N/S	N/S	Liquid injection adaptor	<b>N34220009</b>	-	1	1	1	1	1
N/S	N/S	Oil inlet connector (HSM & L only)	<b>N13050066</b>	-	1	1	1	1	1
N/S	N/S	Oil Inlet O-ring (HSM & L only)	<b>N14060145</b>	-	1	1	1	1	1
N/S	N/S	Adaptor (rotalock / straight) for Oil Inlet (HSM & L only)	<b>N13050065</b>	-	1	1	1	1	1
N/S	N/S	Connector (rotalock) for Ecominiser	<b>N13050067</b>	-	1	1	1	1	1
N/S	N/S	Economiser O-ring	<b>N14060168</b>	-	1	1	1	1	1
N/S	N/S	Economiser Adaptor (rotalock straight)	<b>N13050064</b>	-	1	1	1	1	1
N/S	N/S	Economiser plug c/w 4mm orifice	<b>N13450018</b>	-	1	1	1	1	
N/S	N/S	Economiser plug c/w 3mm orifice	<b>N13450034</b>	-					1
N/S	N/S	Teflon Gasket for rotalock 1.1/4"	<b>N33070028</b>	-	2	2	2	2	2

**HS3100 Spare Parts List  
Semi-Hermetic Compressor**

Quantity for Each Compressor

Item	Diagram	Description	Part Number	Old P/No	3118	3120	3121	3122	3123
		<i>External Oil Line Kit - HSM &amp; L only</i>							
<b>N/S</b>	N/S	Oil filter MP filter assy inc elemet (FMP135 type)	<b>N12070025</b>	-	<b>1</b>	<b>1</b>	<b>1</b>	<b>1</b>	<b>1</b>
<b>N/S</b>	N/S	Oil Filter element (MP type)	<b>N12070018</b>	-	<b>1</b>	<b>1</b>	<b>1</b>	<b>1</b>	<b>1</b>
<b>N/S</b>	N/S	Oil Filter Gasket Set (to suit MP type)	<b>N33010107</b>	-	<b>1</b>	<b>1</b>	<b>1</b>	<b>1</b>	<b>1</b>
<b>N/S</b>	N/S	Connector Rotalock - 1.1/16" UNF	<b>N13050066</b>	-	<b>2</b>	<b>2</b>	<b>2</b>	<b>2</b>	<b>2</b>
<b>N/S</b>	N/S	Adaptor Rotalock Straight - 1.1/8" OD pipe	<b>N13050065</b>	-	<b>2</b>	<b>2</b>	<b>2</b>	<b>2</b>	<b>2</b>
<b>N/S</b>	N/S	Solenoid Valve	<b>N30010082</b>	-	<b>1</b>	<b>1</b>	<b>1</b>	<b>1</b>	<b>1</b>
<b>N/S</b>	N/S	Coil to suit - 115V	<b>N30020014</b>	-	<b>1</b>	<b>1</b>	<b>1</b>	<b>1</b>	<b>1</b>
<b>N/S</b>	N/S	Coil to suit - 220V	<b>N30020066</b>	-	<b>1</b>	<b>1</b>	<b>1</b>	<b>1</b>	<b>1</b>
<b>N/S</b>	N/S	Check Valve c/w 3.0mm vent hole	<b>N30090073</b>	-	<b>1</b>	<b>1</b>	<b>1</b>	<b>1</b>	<b>1</b>



<b>Replacement Parts List</b>
HS3100 - Issue 9
Date: August 2015
Replaces: HS3100 - Issue 8 (H)

**Halltherm**  
Hansard Gate, West Meadows  
Derby, DE21 6JN  
Tel: 01332 253400 Fax: 01332 371061  
Email: [Spares@jehall.co.uk](mailto:Spares@jehall.co.uk)  
Web: [www.jehall.com](http://www.jehall.com)

All data printed is believed to be correct at the time of issue and is for guidance only. We accept no liability for any incorrect information supplied. The compressor design and construction is subject to change without prior notice.